

Itemref	Quantity	Title/Name, designation, material, dimension etc	Article No./Reference
Designed by		Checked by	Approved by-date
		File name	Date
		Scale	

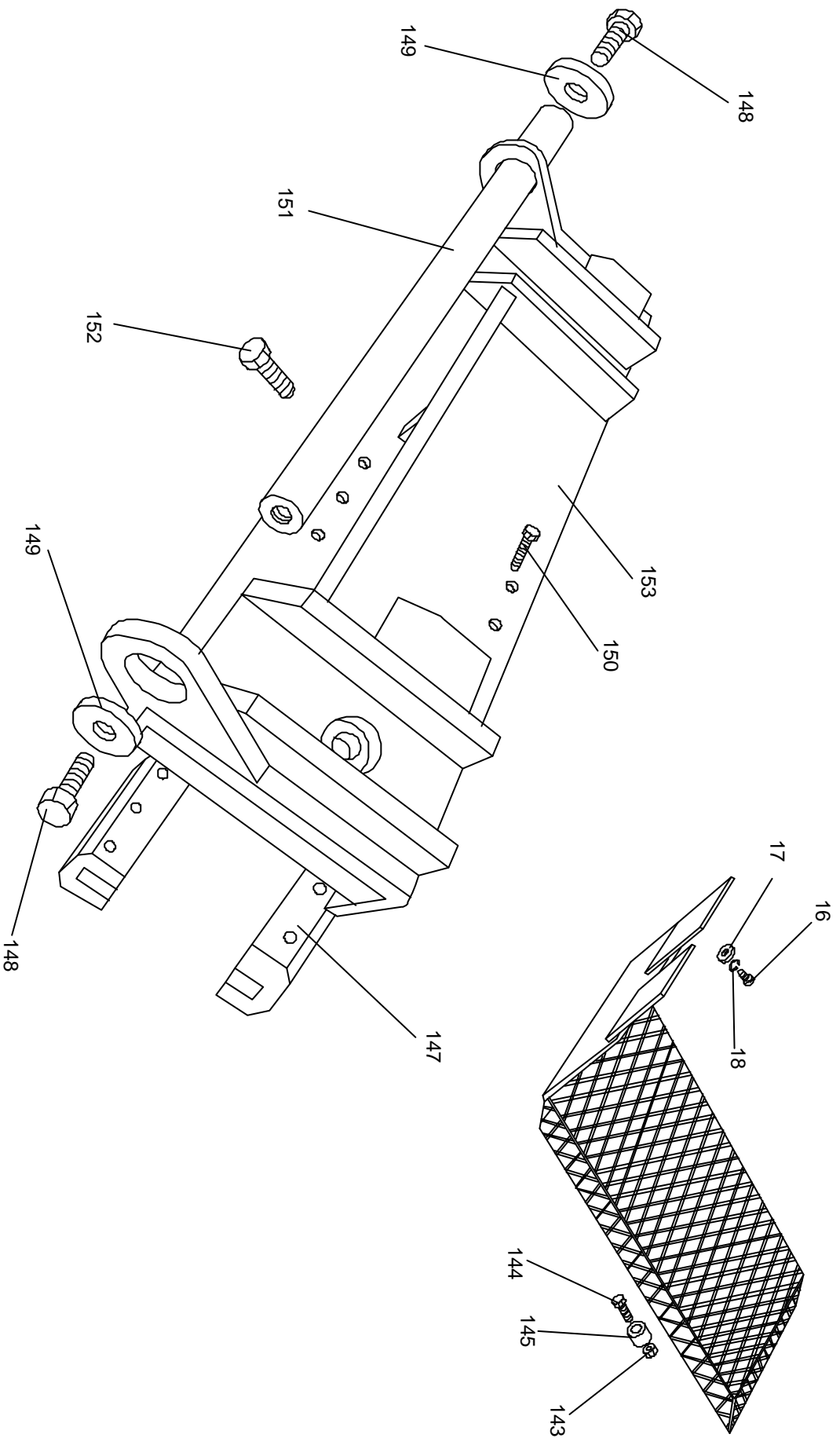
AREO

TIREX 560

DRAWING_N.1

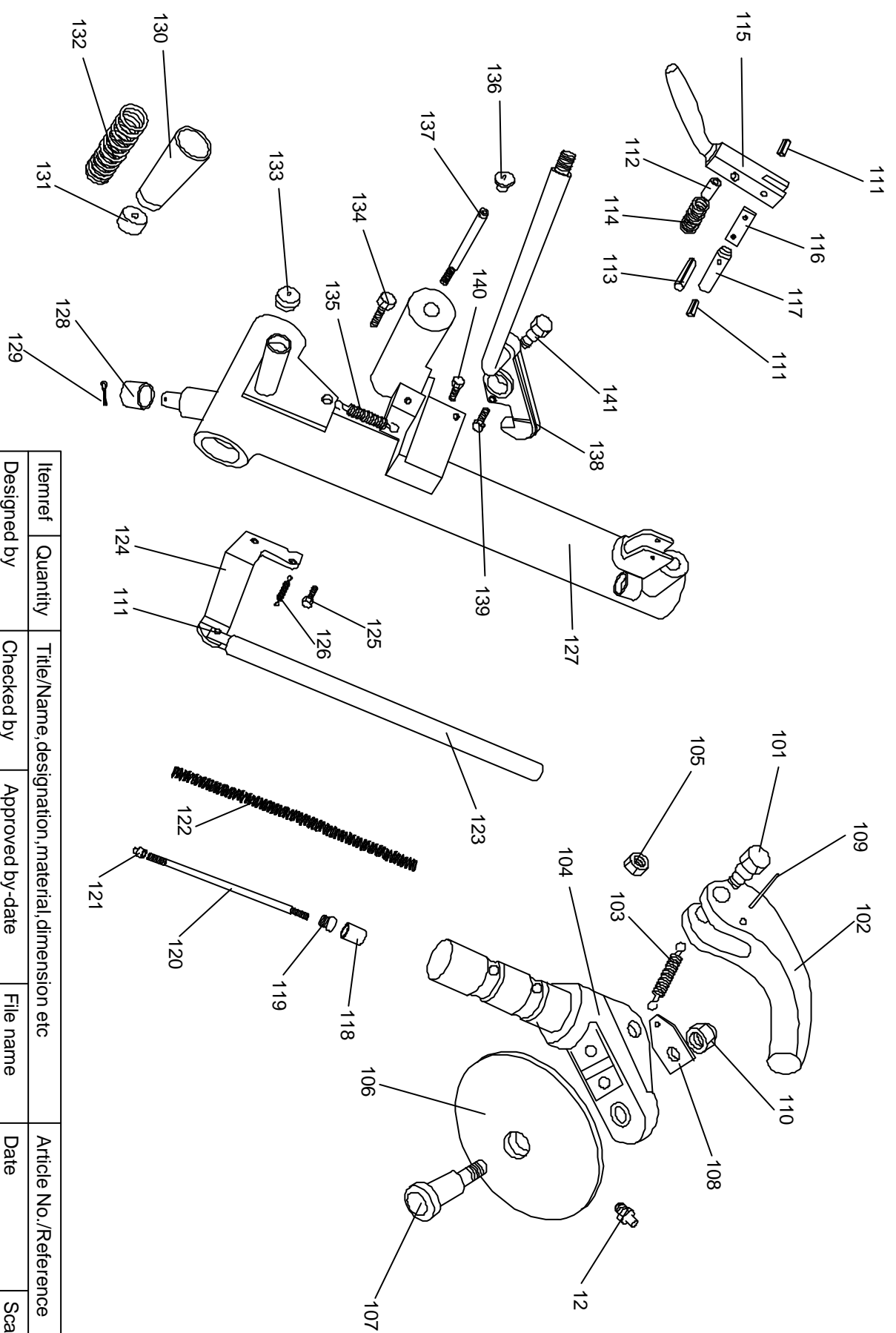
Edition

Sheet



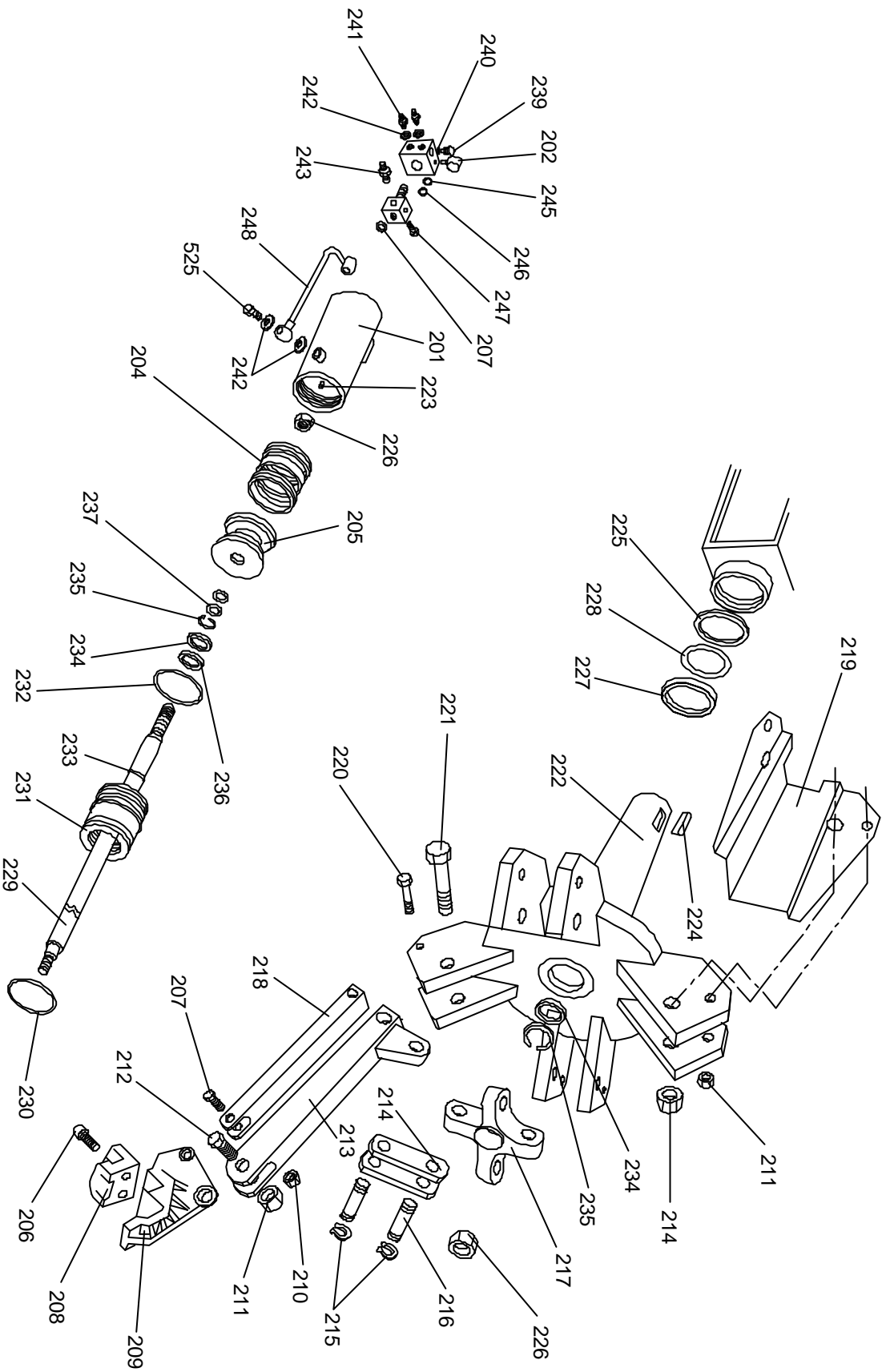
Itemref	Quantity	Title/Name, designation, material, dimension etc	Article No./Reference
Designed by		Checked by	Approved by-date
		File name	Date
			Scale

AREO		TIREX 560	
DRAWING_N.2		Edition	Sheet



Itemref	Quantity	Title/Name, designation, material, dimension etc	Article No./Reference
Designed by		Checked by	Approved by-date
		File name	Date
			Scale

AREO		TIREX 560	
DRAWING_N.3		Edition	Sheet



Itemref	Quantity	Title/Name, designation, material, dimension etc	Article No./Reference
Designed by		Checked by	Approved by-date
		File name	Date
			Scale

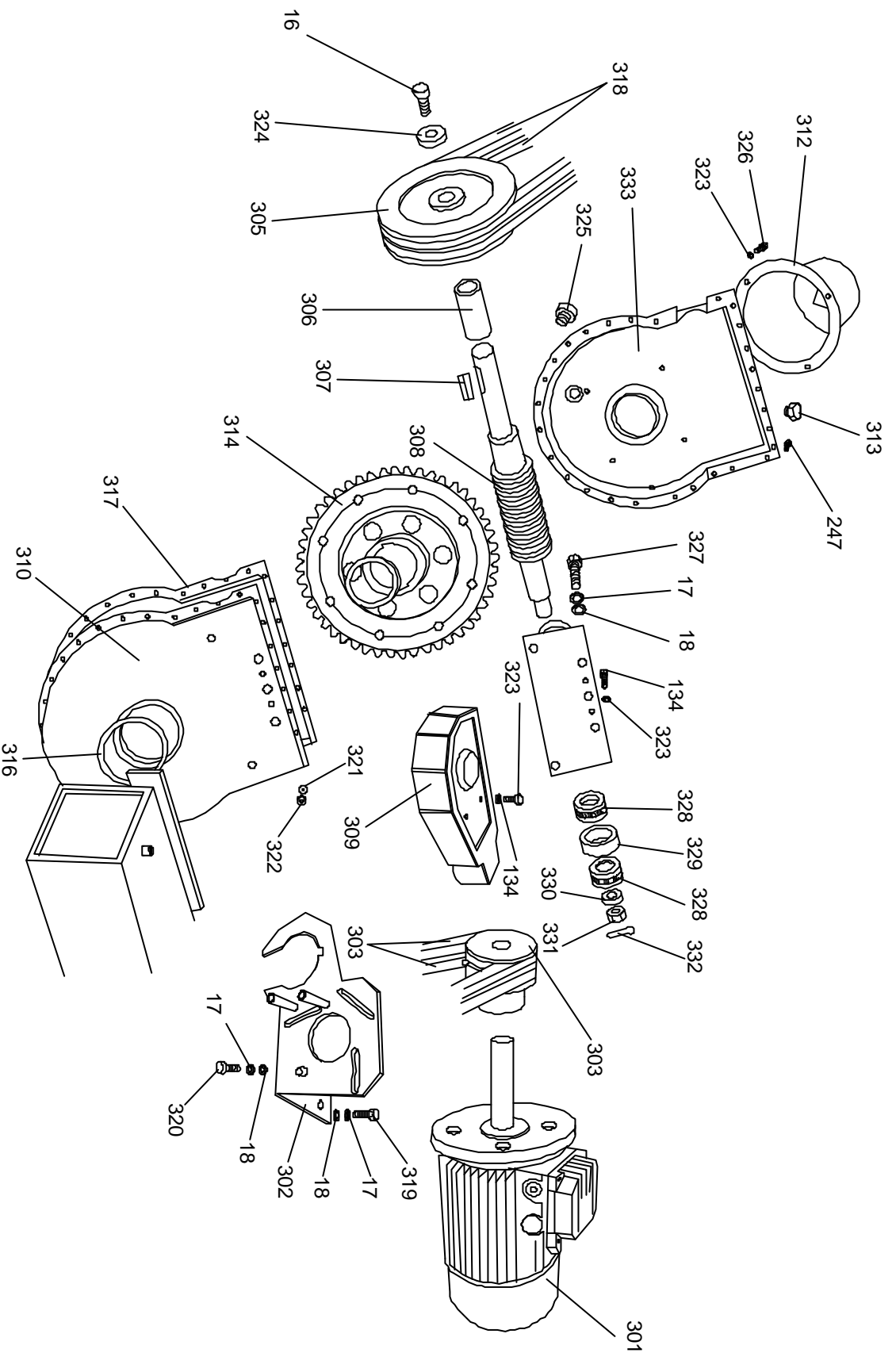
AREO

TIREX 560

DRAWING_N.4

Edition

Sheet



Itemref	Quantity	Title/Name, designation, material, dimension etc	Article No./Reference
Designed by	Checked by	Approved by-date	Date
File name	Scale		

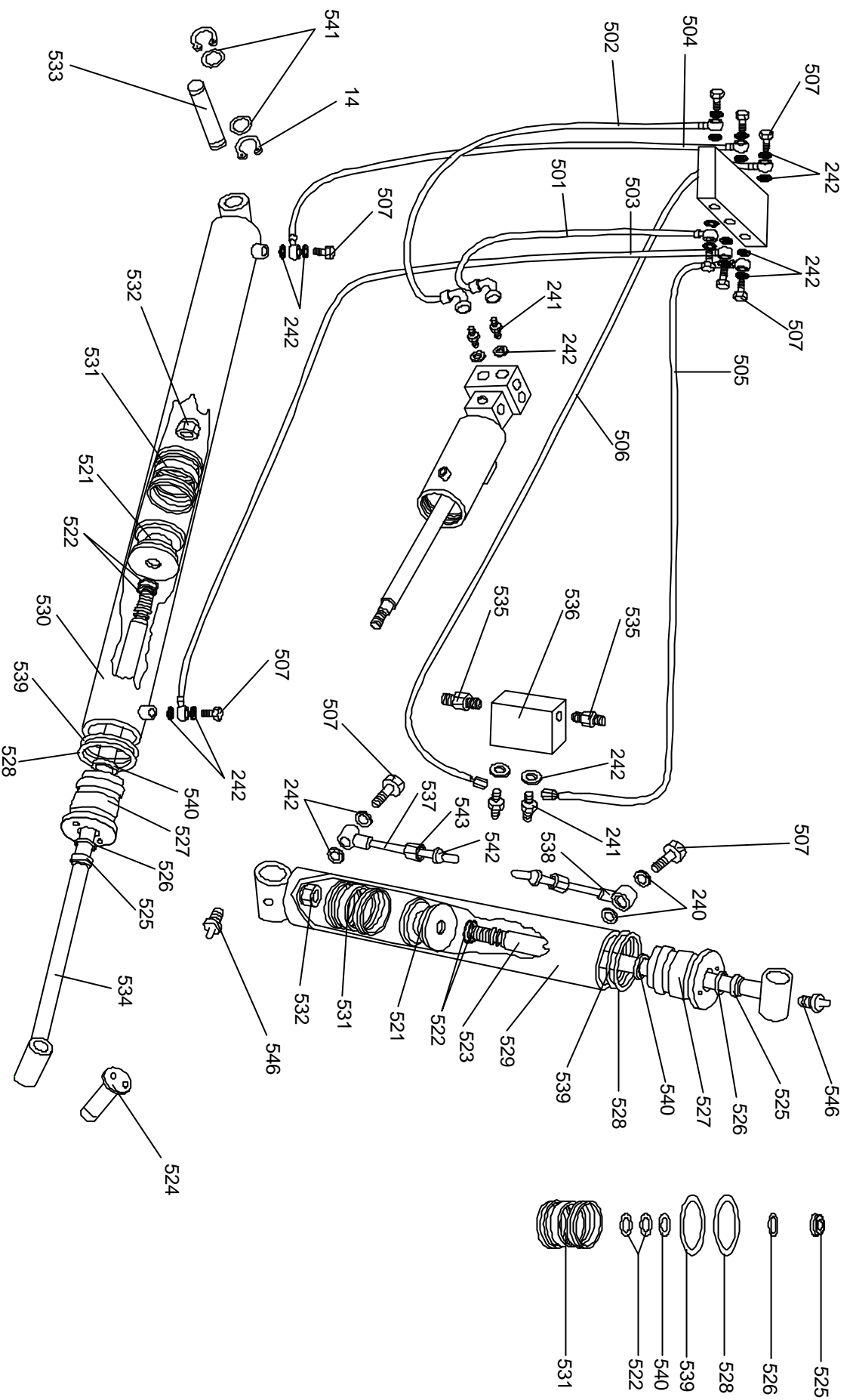
AREO

TIREX 560

DRAWING_N.5

Edition

Sheet



Itemref	Quantity	Title/Name, designation, material, dimension etc	Article No./Reference
Designed by	Checked by	Approved by-date	File name
			Date
			Scale

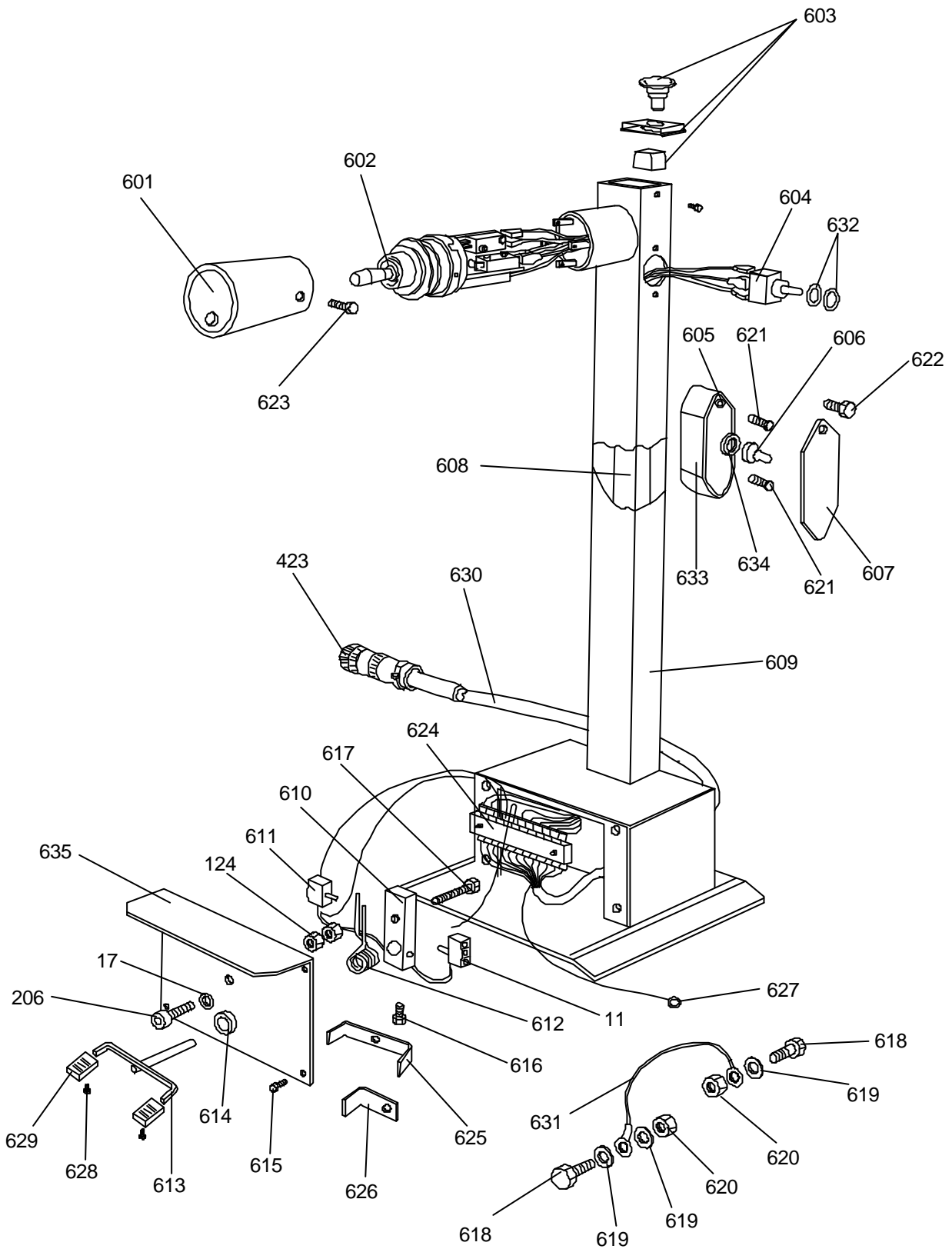
AREO

TIREX 560

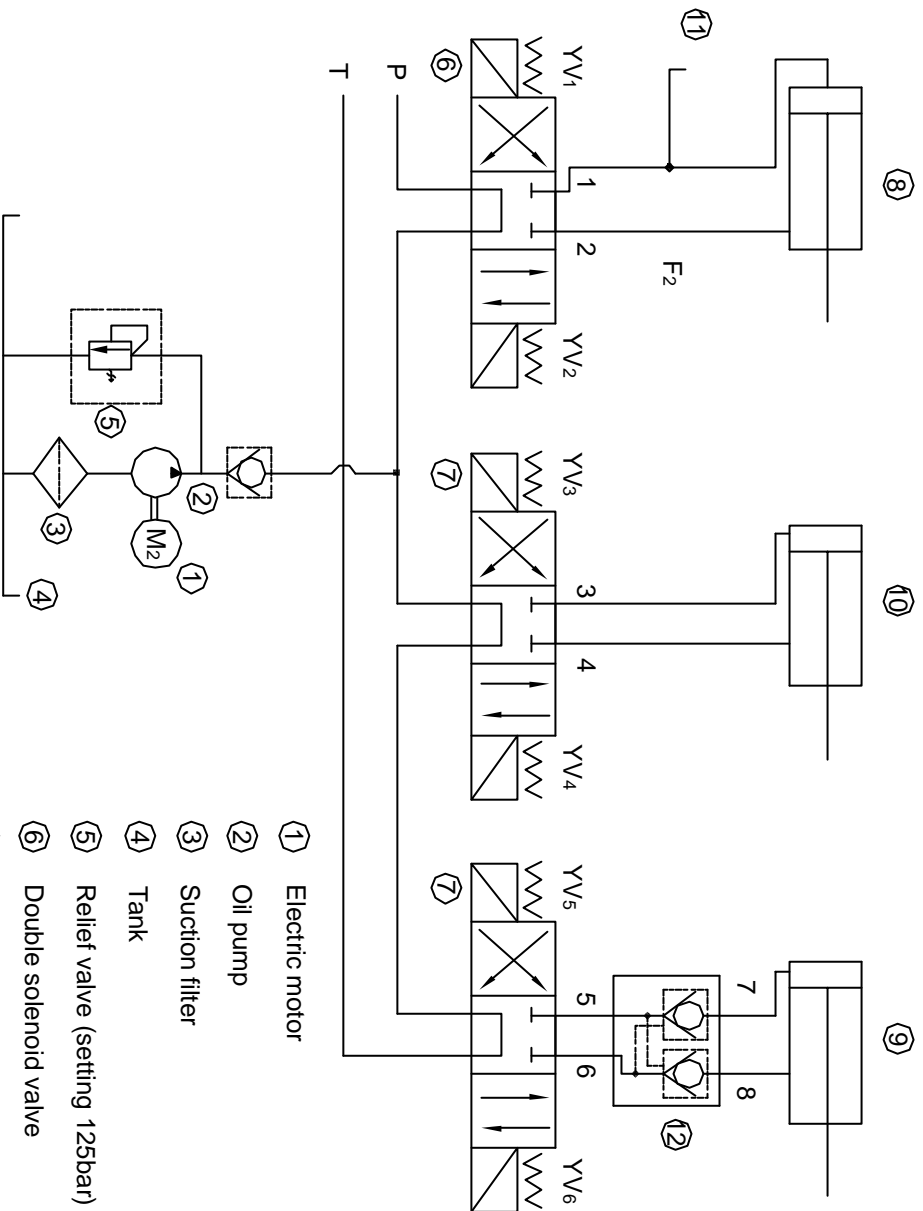
DRAWING_N.6

Edition

Sheet



Itemref	Quantity	Title/Name, designation, material, dimension etc			Article No./Reference	
Designed by	Checked by	Approved by-date	File name	Date	Scale	
AREO			TiREX 560			
			DRAWING_N.7		Edition	Sheet



- ① Electric motor
- ② Oil pump
- ③ Suction filter
- ④ Tank
- ⑤ Relief valve (setting 125bar)
- ⑥ Double solenoid valve
- ⑦ Double solenoid valve
- ⑧ Cylinder F 80 (carriage traverse)
- ⑨ Cylinder F 70(mach)
- ⑩ Cylinder F 45(tool)
- ⑪ Pressure gauge F 63
- ⑫ Safety valve

Itemref	Quantity	Title/Name, designation, material, dimension etc	Article No./Reference
Designed by	Checked by	Approved by-date	File name
			Date
			Scale

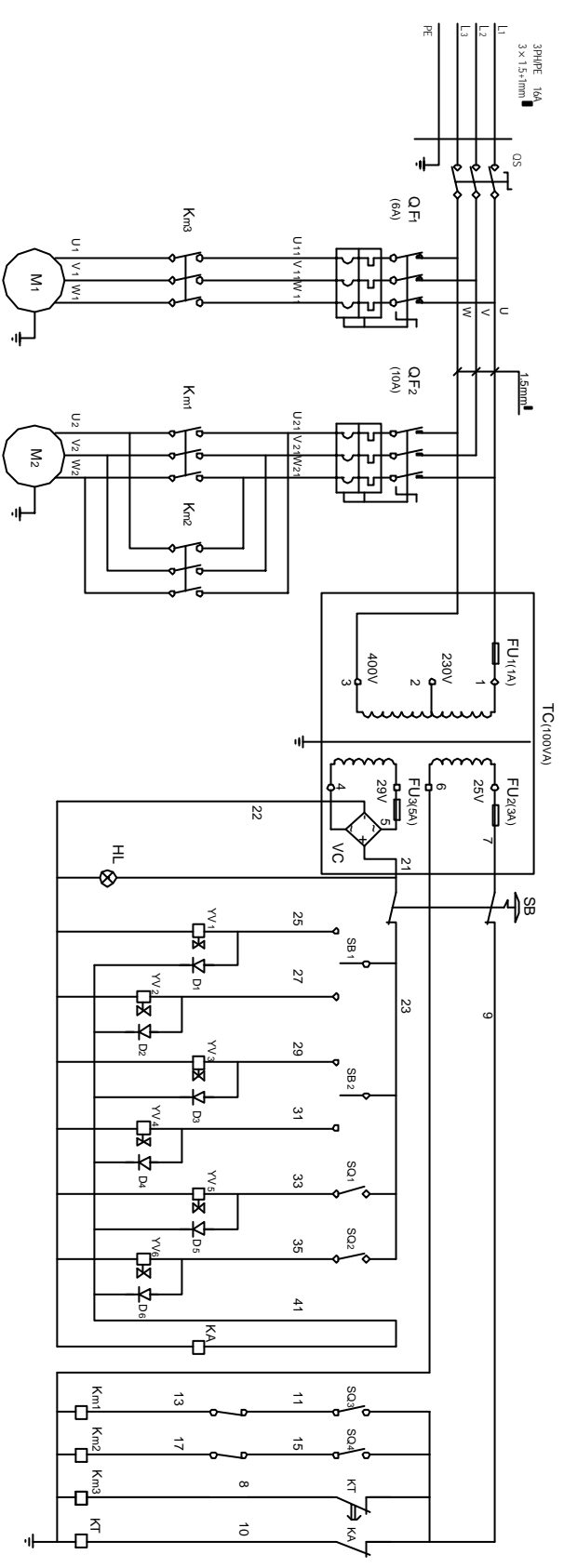
AREO

TIREX 560

DRAWING_N.8

Edition

Sheet



- | | | | |
|-----|------------------------------|---------|------------------|
| QS | Main switch | FU1-FU3 | Fuse |
| QF1 | Pump switch | VC | Rectifier |
| QF2 | Motor switch | HL | LED |
| Km1 | Motor clockwise contactor | YV1-YV6 | Solenoid valve |
| Km2 | Motor antilockwise contactor | SB1 SB2 | Crossing switch |
| Km3 | Pump power switch | SQ1 SQ2 | Button switch |
| M1 | Pump motor | SQ3 SQ4 | Microswitch |
| M2 | Turning motor | SB | Emergency switch |
| TC | Transformer | KA | Timer |
| | | KT | Relay |

Itemref	Quantity	Title/Name, designation, material, dimension etc	Article No./Reference
Designed by		Checked by	
		Approved by-date	
		File name	
		Date	
		Scale	
AREO			TIREX 560
DRAWING_N.9			Edition
			Sheet